

# Stellaris® LM4F120 LaunchPad Evaluation Board

## User's Manual



---

# Copyright

Copyright © 2012 Texas Instruments, Inc. All rights reserved. Stellaris and StellarisWare are registered trademarks of Texas Instruments. ARM and Thumb are registered trademarks, and Cortex is a trademark of ARM Limited. Other names and brands may be claimed as the property of others.

Texas Instruments  
108 Wild Basin, Suite 350  
Austin, TX 78746  
<http://www.ti.com/stellaris>



---

# Table of Contents

<b>Chapter 1: Board Overview</b> .....	<b>6</b>
Kit Contents .....	7
Using the Stellaris® LaunchPad .....	7
Features.....	7
BoosterPacks.....	8
Specifications.....	8
<b>Chapter 2: Hardware Description</b> .....	<b>9</b>
Functional Description .....	10
(Microcontroller, USB, Expansion, Buttons, and LED (Schematic on page 18)).....	10
Power Management (Schematic on page 19).....	13
Stellaris In-Circuit Debug Interface (ICDI) (Schematic on page 20) .....	14
<b>Chapter 3: Software Development</b> .....	<b>15</b>
Software Description.....	15
Source Code .....	15
Tool Options .....	15
Programming the Stellaris LaunchPad Evaluation Board.....	15
<b>Appendix A: Schematics</b> .....	<b>17</b>
<b>Appendix B: Component Locations</b> .....	<b>21</b>
<b>Appendix C: Bill of Materials (BOM)</b> .....	<b>23</b>
<b>Appendix D: References</b> .....	<b>25</b>

# List of Figures

Figure 1-1. Stellaris® LM4F120 LaunchPad Evaluation Board ..... 6

Figure 2-1. Stellaris® LaunchPad Evaluation Board Block Diagram ..... 9

Figure B-1. Stellaris® LaunchPad Component Locations (Top View) ..... 21

Figure B-2. Stellaris® LaunchPad Dimensions) ..... 22

---

## List of Tables

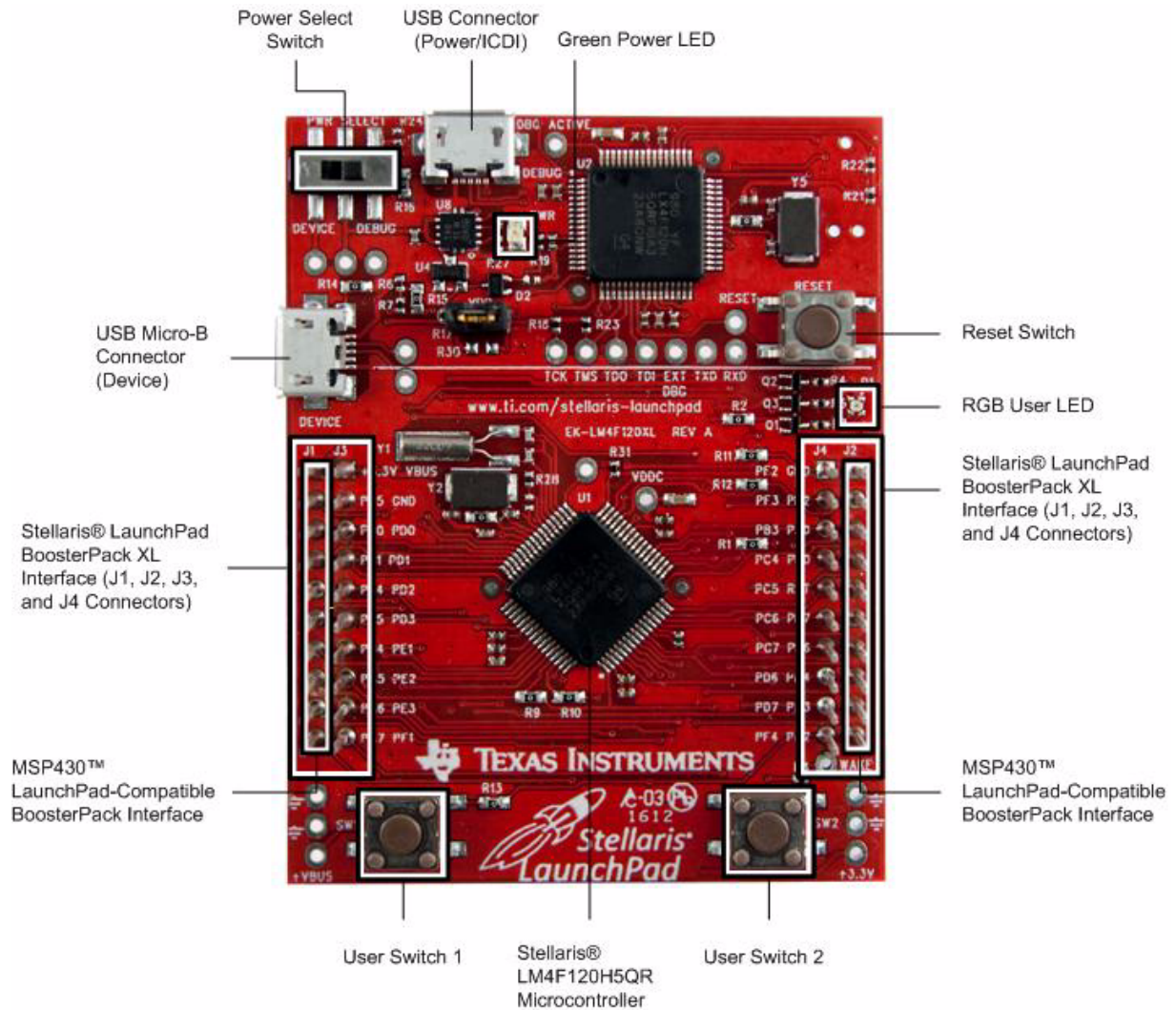
Table 1-1. EK-LM4F120XL Specifications.....	8
Table 2-1. USB Device Signals .....	10
Table 2-2. User Switches and RGB LED Signals.....	10
Table 2-3. J1 Connector .....	11
Table 2-4. J2 Connector .....	11
Table 2-5. J3 Connector .....	12
Table 2-6. J4 Connector .....	12
Table 2-7. Stellaris® In-Circuit Debug Interface (ICDI) Signals.....	14
Table 2-8. Virtual COM Port Signals .....	14
Table C-1. EK-LM4F120 Bill of Materials.....	23

# CHAPTER 1

## Board Overview

The Stellaris® LM4F120 LaunchPad Evaluation Board (EK-LM4F120XL) is a low-cost evaluation platform for ARM® Cortex™-M4F-based microcontrollers. The Stellaris® LaunchPad's design highlights the LM4F120H5QR microcontroller's USB 2.0 Device interface and Hibernation module. The Stellaris® LaunchPad also features programmable user buttons and an RGB LED for custom applications. The stackable headers of the Stellaris® LM4F120 LaunchPad BoosterPack XL Interface demonstrate how easy it is to expand the functionality of the Stellaris® LaunchPad when interfacing to other peripherals with Stellaris® BoosterPacks and MSP430™ BoosterPacks. Figure 1-1 shows a photo of the Stellaris® LaunchPad.

Figure 1-1. Stellaris® LM4F120 LaunchPad Evaluation Board



---

## Kit Contents

The Stellaris® LM4F120 LaunchPad Evaluation Kit comes with the following:

- Stellaris® LaunchPad Evaluation Board (EK-LM4F120XL)
- On-board Stellaris® In-Circuit Debug Interface (ICDI)
- USB Micro-B plug to USB-A plug cable
- *README First* document

## Using the Stellaris® LaunchPad

The recommended steps for using the Stellaris® LM4F120 LaunchPad Evaluation Kit are:

1. **Follow the README First document included in the kit.** The README First document will help get the Stellaris® LaunchPad up and running in minutes. See the [www.ti.com/stellaris-launchpad](http://www.ti.com/stellaris-launchpad) web site for additional information to get started.
2. **Experiment with LaunchPad BoosterPacks.** Stellaris® BoosterPacks and compatible MSP430™ BoosterPacks can be found at the [www.ti.com/stellaris-launchpad](http://www.ti.com/stellaris-launchpad) web site.
3. **Take your first step toward developing an application with Project 0 using your preferred ARM tool-chain and the Stellaris Peripheral Driver Library.** Software applications are loaded using the on-board Stellaris® In-Circuit Debug Interface (ICDI). See Chapter 3, “Software Development” on page 20, for the programming procedure. The *StellarisWare Peripheral Driver Library Software Reference Manual* contains specific information on software structure and function. For more information on Project 0, go to the [www.ti.com/stellaris-launchpad/project0](http://www.ti.com/stellaris-launchpad/project0) web site.
4. **Customize and integrate the hardware to suit an end application.** This user's manual is an important reference for understanding circuit operation and completing hardware modification.

## Features

The Stellaris® LaunchPad includes the following features:

- Stellaris® LM4F120H5QR microcontroller
- USB Micro-B connector for USB Device
- RGB user LED
- 2 user switches (application/wake)
- Available I/O brought out to headers on a 0.1" grid
- On-board Stellaris® In-Circuit Debug Interface (ICDI)
- Switch-selectable power sources
  - ICDI
  - USB Device
- Reset switch
- Preloaded RGB quickstart application
- Supported by StellarisWare® software including the USB library and the peripheral driver library

- Stellaris® LM4F120 LaunchPad BoosterPack XL Interface which features stackable headers to expand the capabilities of the Stellaris® LaunchPad development platform
  - For a complete list of available BoosterPacks that can be used with the Stellaris® LaunchPad, see the [www.ti.com/stellaris-launchpad](http://www.ti.com/stellaris-launchpad) web site.

## BoosterPacks

Stellaris® LaunchPad provides an easy and inexpensive way to develop applications with the Stellaris® LM4F120H5QR microcontroller. Stellaris® BoosterPacks and MSP430™ BoosterPacks expand the available peripherals and potential applications of the Stellaris® LaunchPad. BoosterPacks can be used with the Stellaris® LaunchPad or just use the on-board LM4F120H5QR microcontroller as its processor. See“(Microcontroller, USB, Expansion, Buttons, and LED (Schematic on page 18)” on page 10 in Chapter 2 for more information.

Build your own BoosterPack and take advantage of Texas Instruments' web site to help promote it!

From sharing a new idea or project, to designing, manufacturing, and selling your own BoosterPack kit, TI offers a variety of avenues for you to reach potential customers with your solutions.

## Specifications

Table 1-1 shows the specifications for the Stellaris® LaunchPad.

**Table 1-1. EK-LM4F120XL Specifications**

Parameter	Value
Board supply voltage	4.75–5.25 V <sub>DC</sub> from one of the following sources: <ul style="list-style-type: none"> <li>■ Debugger (ICDI) USB Micro-B cable (connected to a PC)</li> <li>■ USB Device Micro-B cable (connected to a PC)</li> </ul>
Dimensions	2.0" x 2.25" x 0.425" (L x W x H)
Break-out power output	<ul style="list-style-type: none"> <li>■ 3.3 V<sub>DC</sub> (300 mA max)</li> <li>■ 5.0 V<sub>DC</sub> (depends on 3.3 V<sub>DC</sub> usage, 23 mA - 323 mA)</li> </ul>
RoHS status	Compliant

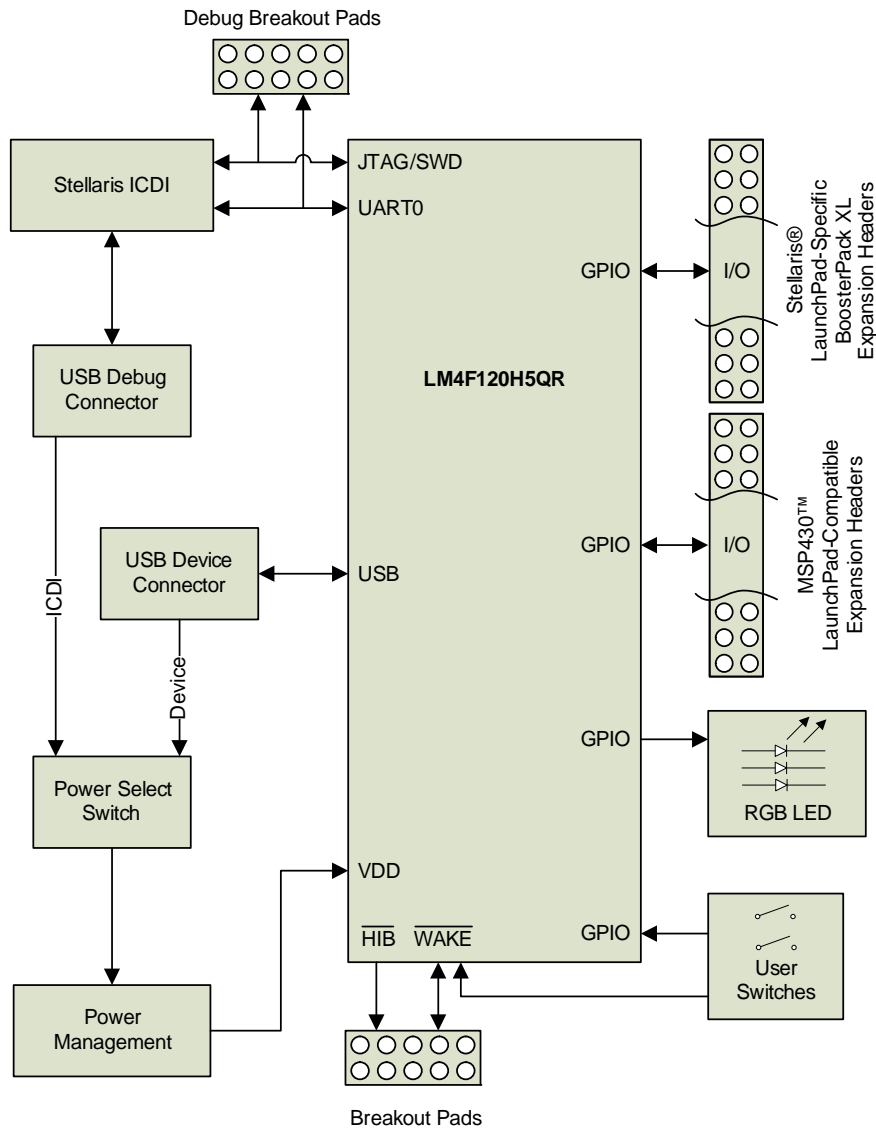


# CHAPTER 2

## Hardware Description

The Stellaris® LaunchPad includes a Stellaris LM4F120H5QR microcontroller and an integrated Stellaris® In-Circuit Debug Interface (ICDI) as well as a range of useful peripheral features (see the block diagram in Figure 2-1). This chapter describes how these peripherals operate and interface to the microcontroller.

Figure 2-1. Stellaris® LaunchPad Evaluation Board Block Diagram



# Functional Description

## (Microcontroller, USB, Expansion, Buttons, and LED (Schematic on page 18))

### Microcontroller

The Stellaris LM4F120H5QR is a 32-bit ARM® Cortex™-M4F-based microcontroller with 256-KB Flash memory, 32-KB SRAM, 80-MHz operation, USB Device, Hibernation module, and a wide range of other peripherals. See the LM4F120H5QR microcontroller data sheet (order number DS-LM4F120H5QR) for complete device details.

Most of the microcontroller signals are routed to 0.1" pitch headers. An internal multiplexer allows different peripheral functions to be assigned to each of these GPIO pads. When adding external circuitry, consider the additional load on the evaluation board's power rails.

The LM4F120H5QR microcontroller is factory-programmed with a quickstart demo program. The quickstart program resides in on-chip Flash memory and runs each time power is applied, unless the quickstart application has been replaced with a user program.

### USB Device

The Stellaris® LaunchPad includes a USB Micro-B connector to allow for USB 2.0 Device operation. The signals shown in Table 2-1 are used for USB Device.

**Table 2-1. USB Device Signals**

GPIO Pin	Pin Function	USB Device
PD4	USB0DM	D-
PD5	USB0DP	D+

When connected as a USB Device, the evaluation board can be powered from either the Stellaris® ICDI or the USB Device connectors. The user can select the power source by moving the POWER SELECT switch (SW3) to the Device position. See the Power Management schematic on page 19

### User Switches and RGB User LED

The Stellaris® LaunchPad comes with an RGB LED. This LED is used in the preloaded RGB quickstart application and can be configured for use in custom applications.

Two user buttons are included on the board. The user buttons are both used in the preloaded quickstart application to adjust the light spectrum of the RGB LED as well as go into and out of hibernation. The user buttons can be used for other purposes in the user's custom application.

The evaluation board also has a green power LED.

Table 2-2 shows how these features are connected to the pins on the microcontroller.

**Table 2-2. User Switches and RGB LED Signals**

GPIO Pin	Pin Function	Feature
PF4	GPIO	SW1
PF0	GPIO	SW2

**Table 2-2. User Switches and RGB LED Signals (Continued)**

GPIO Pin	Pin Function	Feature
PF1	GPIO	RGB LED (red)
PF2	GPIO	RGB LED (blue)
PF3	GPIO	RGB LED (green)

## Headers and BoosterPacks

The two double rows of stackable headers are mapped to most of the GPIO pins of the LM4F120H5QR microcontroller. These rows are labeled as connectors J1, J2, J3, and J4. Connectors J3 and J4 are located 0.1 inches inside of the J1 and J2 connectors. All 40 header pins of the J1, J2, J3, and J4 connectors make up the Stellaris® LM4F120 LaunchPad BoosterPack XL Interface. Table 2-3, Table 2-4, Table 2-5, and Table 2-6 show how these header pins are connected to the microcontroller pins and which GPIO functions can be selected.

**NOTE:** To configure the device peripherals easily and intuitively using a graphical user interface (GUI), see the Stellaris® LM4F Pinmux Utility found at [www.ti.com/tool/lm4f\\_pinmux](http://www.ti.com/tool/lm4f_pinmux). This easy-to-use interface makes setting up alternate functions for GPIOs simple and error-free.

**Table 2-3. J1 Connector**

J1 Pin	GPIO	Stellaris Pin	GPIOCTL Register Setting							
			GPIOAMSEL	1	2	3	7	8	9	14
1.01	3.3 V									
1.02	PB5	57	AIN11	-	SSI2Fss	-	T1CCP1	CAN0Tx	-	-
1.03	PB0	45	-	U1Rx	-	-	T2CCP0	-	-	-
1.04	PB1	46	-	U1Tx	-	-	T2CCP1	-	-	-
1.05	PE4	59	AIN9	U5Rx	-	I2C2SCL	-	CAN0Rx	-	-
1.06	PE5	60	AIN8	U5Tx	-	I2C2SDA	-	CAN0Tx	-	-
1.07	PB4	58	AIN10	-	SSI2Ck	-	T1CCP0	CAN0Rx	-	-
1.08	PA5	22	-	-	SSI0Tx	-	-	-	-	-
1.09	PA6	23	-	-	-	I2C1SCL	-	-	-	-
1.10	PA7	24	-	-	-	I2C1SDA	-	-	-	-

**Table 2-4. J2 Connector**

J2 Pin	GPIO	Stellaris Pin	GPIOCTL Register Setting							
			GPIOAMSEL	1	2	3	7	8	9	14
2.01	GND									
2.02	PB2	47	-	-	-	I2C0SCL	T3CCP0	-	-	-
2.03	PE0	9	AIN3	U7Rx	-	-	-	-	-	-
2.04	PF0	28	-	U1RTS	SSI1Rx	CAN0Rx	T0CCP0	NMI	C0o	-
2.05	RESET									
2.06 <sup>a</sup>	PB7	4	-	-	SSI2Tx	-	T0CCP1	-	-	-
2.07 <sup>b</sup>	PB6	1	-	-	SSI2Rx	-	T0CCP0	-	-	-

Table 2-4. J2 Connector (Continued)

J2 Pin	GPIO	Stellaris Pin	GPIOCTL Register Setting							
			GPIOAMSEL	1	2	3	7	8	9	14
2.08	PA4	21	-	-	SSI0Rx	-	-	-	-	-
2.09	PA3	20	-	-	SSI0Fss	-	-	-	-	-
2.10	PA2	19	-	-	SSI0Clk	-	-	-	-	-

- a. J2.06 (PB7) is also connected via 0-Ω resistor to J3.04 (PD1).  
b. J2.07 (PB6) is also connected via 0-Ω resistor to J3.03 (PD0).

Table 2-5. J3 Connector

J3 Pin	GPIO	Stellaris Pin	GPIOCTL Register Setting							
			GPIOAMSEL	1	2	3	7	8	9	14
3.01	5.0V									
3.02	GND									
3.03	PD0	61	AIN7	SSI3Clk	SSI1Clk	I2C3SCL	WT2CCP0	-	-	-
3.04	PD1	62	AIN6	SSI3Fss	SSI1Fss	I2C3SDA	WT2CCP1	-	-	-
3.05	PD2	63	AIN5	SSI3Rx	SSI1Rx	-	WT3CCP0	-	-	-
3.06	PD3	64	AIN4	SSI3Tx	SSI1Tx	-	WT3CCP1	-	-	-
3.07	PE1	8	AIN2	U7Tx	-	-	-	-	-	-
3.08	PE2	7	AIN1	-	-	-	-	-	-	-
3.09	PE3	6	AIN0	-	-	-	-	-	-	-
3.10 <sup>a</sup>	PF1	29	-	U1CTS	SSI1Tx	-	T0CCP1	-	C1o	TRD1

- a. Not recommended for BoosterPack use. This signal tied to on-board function via 0-Ω resistor.

Table 2-6. J4 Connector

J4 Pin	GPIO	Stellaris Pin	GPIOCTL Register Setting							
			GPIOAMSEL	1	2	3	7	8	9	14
4.01 <sup>a</sup>	PF2	30	-	-	SSI1Clk	-	T1CCP0	-	-	TRD0
4.02 <sup>a</sup>	PF3	31	-	-	SSI1Fss	CAN0Tx	T1CCP1	-	-	TRCLK
4.03	PB3	48	-	-	-	I2C0SDA	T3CCP1	-	-	-
4.04	PC4	16	C1-	U4Rx	U1Rx	-	WT0CCP0	U1RTS	-	-
4.05	PC5	15	C1+	U4Tx	U1Tx	-	WT0CCP1	U1CTS	-	-
4.06	PC6	14	C0+	U3Rx	-	-	WT1CCP0	-	-	-
4.07	PC7	13	C0-	U3Tx	-	-	WT1CCP1	-	-	-
4.08	PD6	53	-	U2Rx	-	-	WT5CCP0	-	-	-
4.09	PD7	10	-	U2Tx	-	-	WT5CCP1	NMI	-	-
4.10 <sup>a</sup>	PF4	5	-	-	-	-	T2CCP0	-	-	-

- a. Not recommended for BoosterPack use. This signal tied to on-board function via 0-Ω resistor.

Connectors J1 and J2 of the Stellaris® LM4F120 LaunchPad BoosterPack XL Interface provide compatibility with MSP430™ LaunchPad BoosterPacks. Highlighted functions in Table 2-3, "J1 Connector" on page 11 and Table 2-4, "J2 Connector" on page 11 indicate configuration for compatibility with the MSP430 LaunchPad.

A complete list of Stellaris® BoosterPacks and Stellaris LaunchPad-compatible MSP430 BoosterPacks is available at [www.ti.com/stellaris-launchpad](http://www.ti.com/stellaris-launchpad).

## Power Management (Schematic on page 19)

### Power Supplies

The Stellaris® LaunchPad can be powered from one of two power sources:

- On-board Stellaris® In-Circuit Debug Interface (ICDI) USB cable (Debug, Default)
- USB Device cable (Device)

The POWER SELECT switch (SW3) is used to select one of the two power sources. Select only one source at a time.

### Hibernate

The Stellaris® LaunchPad provides an external 32.768 kHz crystal (Y1) as the clock source for the LM4F120H5QR's Hibernation module clock source. The current draw while in Hibernate mode can be measured by making some minor adjustments to the Stellaris® LaunchPad. This is explained in more detail later in this section.

The conditions that can generate a wake signal to the Hibernate module on the Stellaris® LaunchPad are waking on a Real-time Clock (RTC) match and/or waking on assertion of the  $\overline{\text{WAKE}}$  pin.<sup>1</sup> The second user switch (SW2) is connected to the  $\overline{\text{WAKE}}$  pin on the microcontroller. The  $\overline{\text{WAKE}}$  pin, as well as the  $V_{DD}$  and  $\text{HIB}$  pins, are easily accessible through breakout pads on the Stellaris® LaunchPad. See Appendix A, "Schematics" on page 22 for details.

There is no external battery source on the Stellaris® LaunchPad Hibernation module, which means the VDD3ON power control mechanism should be used. This mechanism uses internal switches to remove power from the Cortex-M4F processor as well as to most analog and digital functions while retaining I/O pin power.

To measure the Hibernation mode current or the Run mode current, the  $V_{DD}$  jumper that connects the 3.3 V pin and the MCU\_PWR pin must be removed. See Appendix A, "Schematics" on page 17 for details on these pins and component locations. An ammeter should then be placed between the 3.3 V pin and the MCU\_PWR pin to measure  $I_{DD}$  (or  $I_{\text{HIB\_VDD3ON}}$ ). The LM4F120H5QR microcontroller uses  $V_{DD}$  as its power source during  $V_{DD3ON}$  Hibernation mode, so  $I_{DD}$  is the Hibernation mode ( $V_{DD3ON}$  mode) current. This measurement can also be taken during Run mode, which measures  $I_{DD}$  the microcontroller running current.

### Clocking

The Stellaris® LaunchPad uses a 16.0-MHz crystal (Y2) to complete the LM4F120H5QR microcontroller's main internal clock circuit. An internal PLL, configured in software, multiples this clock to higher frequencies for core and peripheral timing.

The Hibernation module is clocked from an external 32.768 kHz crystal (Y1).

---

1. If the board does not turn on when you connect it to a power source, the microcontroller might be in Hibernate mode (depending on the programmed application). You must satisfy one of the programmed wake conditions and connect the power to bring the microcontroller out of Hibernate mode and turn on the board.

## Reset

The  $\overline{\text{RESET}}$  signal into the LM4F120H5QR microcontroller connects to the RESET switch and to the Stellaris® ICDI circuit for a debugger-controlled reset.

External reset is asserted (active low) under any of three conditions:

- Power-on reset (filtered by an R-C network)
- RESET switch held down
- By the Stellaris® ICDI circuit when instructed by the debugger (this capability is optional, and may not be supported by all debuggers)

## Stellaris In-Circuit Debug Interface (ICDI) (Schematic on page 20)

### Stellaris® In-Circuit Debug Interface (ICDI)

The Stellaris® LaunchPad evaluation board comes with an on-board Stellaris® In-Circuit Debug Interface (ICDI). The Stellaris® ICDI allows for the programming and debug of the LM4F120H5QR using LM Flash Programmer and/or any of the supported tool chains. Both JTAG and Serial Wire Debug (SWD) are supported.

Table 2-7 shows the pins used for JTAG and SWD. These signals are also mapped out to easily accessible breakout pads and headers on the board.

**Table 2-7. Stellaris® In-Circuit Debug Interface (ICDI) Signals**

GPIO Pin	Pin Function
PC0	TCK/SWCLK
PC1	TMS/SWDIO
PC2	TDI
PC3	TDO/SWO

### Virtual COM Port

When plugged in to a PC, the device enumerates as a debugger and a virtual COM port. Table 2-8 shows the connections for the COM port to the pins on the microcontroller.

**Table 2-8. Virtual COM Port Signals**

GPIO Pin	Pin Function
PA0	U0RX
PA1	U0TX

## Software Development

This chapter provides general information on software development as well as instructions for Flash memory programming.

### Software Description

The StellarisWare® software provided with the Stellaris® LaunchPad provides access to all of the peripheral devices supplied in the design. The Stellaris® Peripheral Driver Library is used to operate the on-chip peripherals as part of StellarisWare®.

StellarisWare® includes a set of example applications that use the StellarisWare® Peripheral Driver Library. These applications demonstrate the capabilities of the LM4F120H5QR microcontroller, as well as provide a starting point for the development of the final application for use on the Stellaris® LaunchPad evaluation board.

### Source Code

The complete source code including the source code installation instructions are provided at [www.ti.com/stellaris-launchpad](http://www.ti.com/stellaris-launchpad). The source code and binary files are installed in the DriverLib tree.

### Tool Options

The source code installation includes directories containing projects and/or makefiles for the following tool-chains:

- Keil ARM RealView® Microcontroller Development System
- IAR Embedded Workbench for ARM
- Sourcery CodeBench
- Texas Instruments' Code Composer Studio™ IDE

Download evaluation versions of these tools from [www.ti.com/stellaris](http://www.ti.com/stellaris). Due to code size restrictions, the evaluation tools may not build all example programs. A full license is necessary to re-build or debug all examples.

Instructions on installing and using each of the evaluation tools can be found in the Quickstart guides (for example, Quickstart-Keil, Quickstart-IAR) which are available for download from the evaluation kit section of our web site at [www.ti.com/stellaris](http://www.ti.com/stellaris).

For detailed information on using the tools, see the documentation included in the tool chain installation or visit the web site of the tools supplier.

## Programming the Stellaris LaunchPad Evaluation Board

The Stellaris® LaunchPad software package includes pre-built binaries for each of the example applications. If you installed StellarisWare® to the default installation path of C:\StellarisWare, you can find the example applications in "C:\StellarisWare\boards\ek-lm4f120xl". The on-board Stellaris ICD1 is used with the Stellaris LM Flash Programmer tool to program applications on the Stellaris® LaunchPad.

Follow these steps to program example applications into the Stellaris® LaunchPad evaluation board using the Stellaris® ICD1:

1. Install LM Flash Programmer on a Windows PC.
2. Switch the POWER SELECT switch to the right for Debug mode.
3. Connect the USB-A cable plug to an available port on the PC and the Micro-B plug to the 'Debug' USB port on the board.
4. Verify that the POWER LED D4 on the board is lit.
5. Run LM Flash Programmer.
6. In the Configuration tab, use the Quick Set control to select the EK-LM4F120XL evaluation board.
7. Move to the Program tab and click the Browse button. Navigate to the example applications directory (the default location is "C:\StellarisWare\boards\ek-lm4f120xl\").
8. Each example application has its own directory. Navigate to the example directory that you want to load and then into the directory which contains the binary (\*.bin) files. Select the binary file and click Open.
9. Set the "Erase Method" to "Erase Necessary Pages," check the "Verify After Program" box, and check "Reset MCU After Program".
10. Click the Program button to start the Erase, Download, and Verify process.

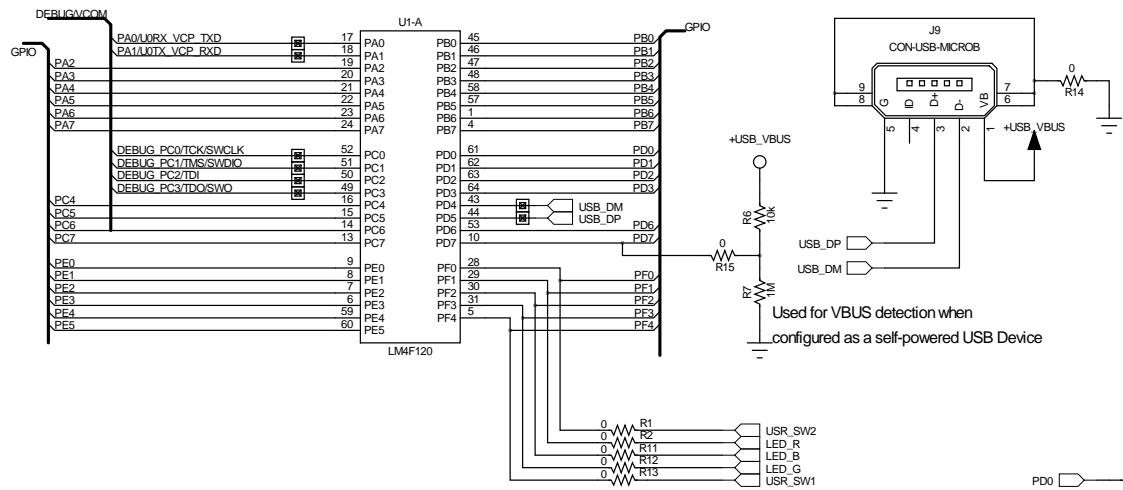
Program execution starts once the Verify process is complete.



## **Schematics**

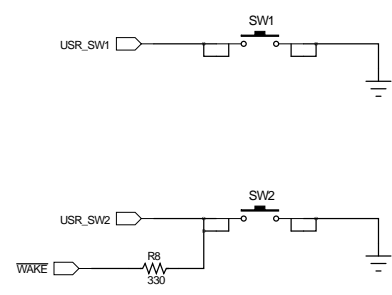
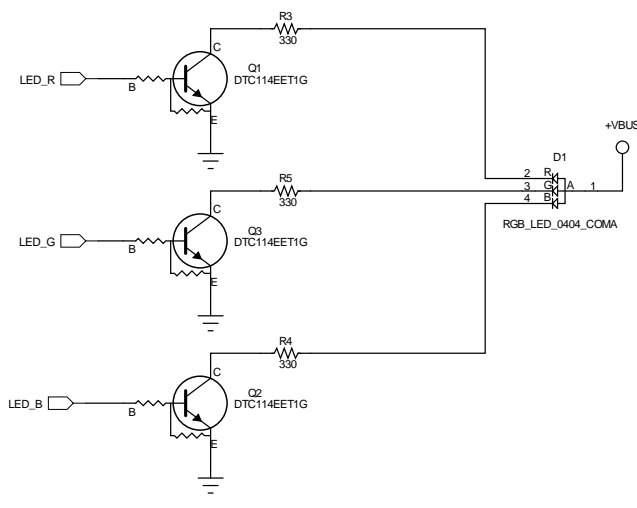
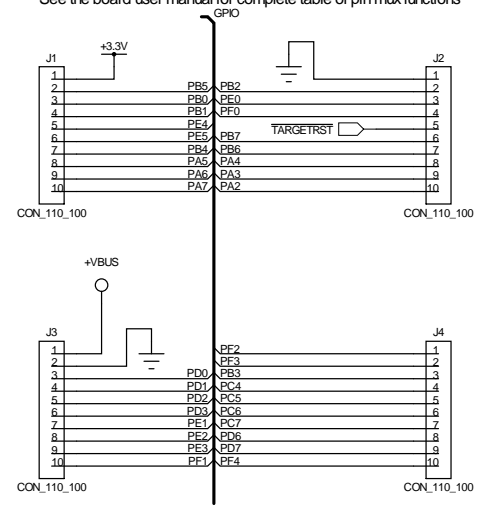
This section contains the schematics for the Stellaris® LaunchPad board.

- Microcontroller, USB, Expansion, Buttons, and LED on page 18
- Power Management on page 19
- Stellaris In-Circuit Debug Interface (ICDI) on page 20



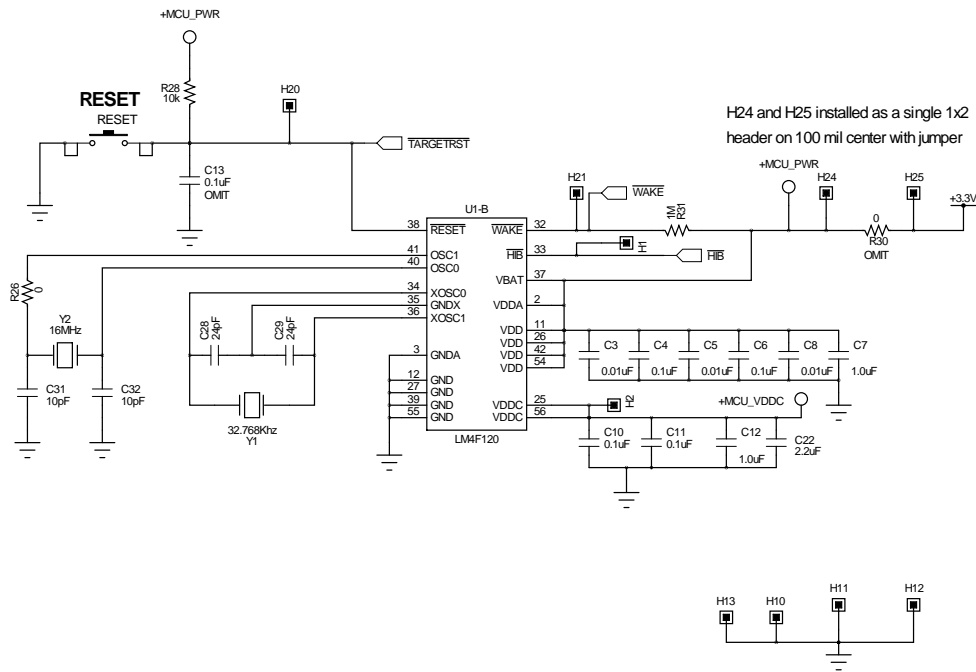
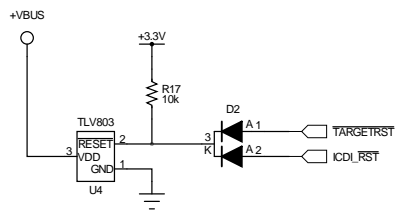
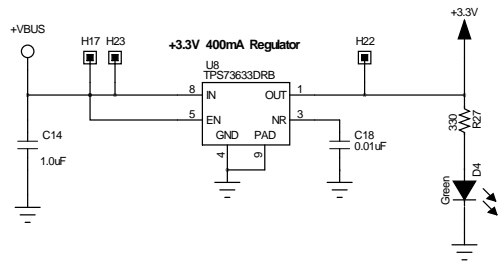
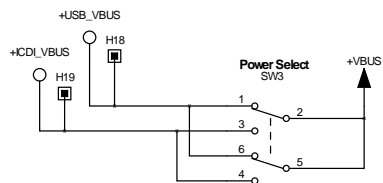
Used for VBUS detection when configured as a self-powered USB Device

J1 and J2 provide compatibility with Booster Packs designed for MSP430 Launchpad J3 and J4 sit 100 mils inside J1 and J2 to provide extended functions specific to this board. See the board user manual for complete table of pin mux functions



DESIGNER	REVISION	DATE
DGT	0.1	8/23/2012
PROJECT	Stellaris Launchpad	
DESCRIPTION	Microcontroller, USB, Expansion, Buttons and LED	
FILENAME	EK-LM4F120XL Rev A.sch	

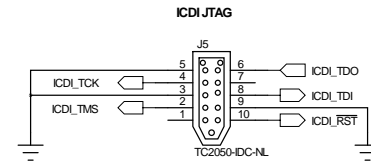
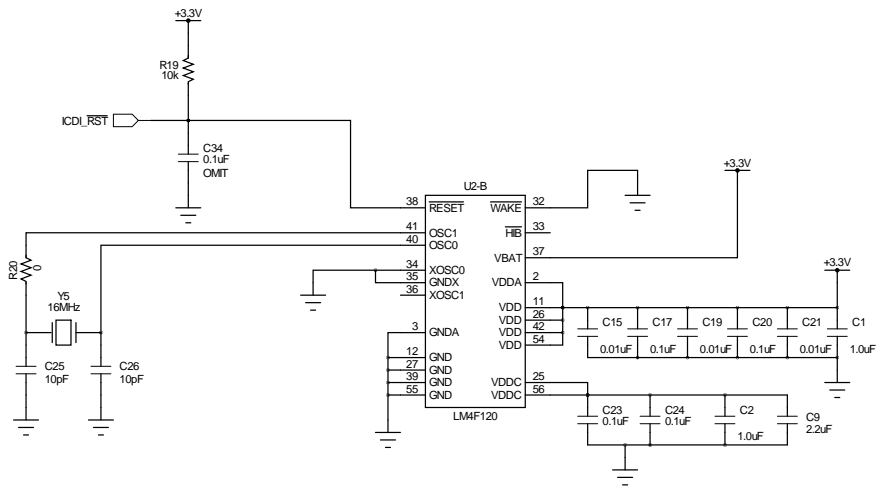
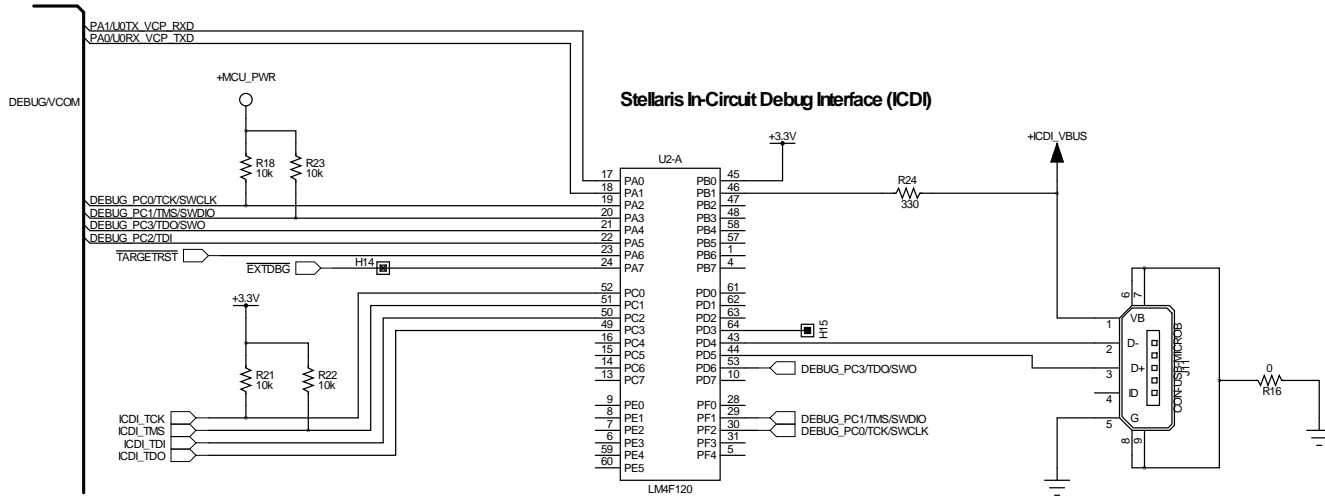
	<b>TEXAS INSTRUMENTS</b> STELLARIS® MICROCONTROLLERS 108 WILD BASIN ROAD, SUITE 350 AUSTIN TX, 78746 www.ti.com/stellaris	
	PART NO.	SHEET
	EK-LM4F120XL	1 OF 3




H24 and H25 installed as a single 1x2 header on 100 mil center with jumper

DESIGNER DGT	REVISION 0.1	DATE 8/23/2012
PROJECT Stellaris Launchpad		
DESCRIPTION Power Management		
FILENAME EK-LM4F120XL Rev A.sch		

	<b>TEXAS INSTRUMENTS</b> STELLARIS <sup>®</sup> MICROCONTROLLERS 108 WILD BASIN ROAD, SUITE 350 AUSTIN TX, 78746 www.ti.com/stellaris	
	PART NO.	EK-LM4F120XL
	SHEET	2 OF 3



DESIGNER	REVISION	DATE
DGT	0.1	8/23/2012
PROJECT		
Stellaris Launchpad		
DESCRIPTION		
SStellaris In Circuit Debug Interface		
FILENAME	EK-LM4F120XL Rev A.sch	

	<b>TEXAS INSTRUMENTS</b> STELLARIS® MICROCONTROLLERS 108 WILD BASIN ROAD, SUITE 350 AUSTIN TX, 78746 www.ti.com/stellaris	
	PART NO.	EK-LM4F120XL
	SHEET	3 OF 3

# A P P E N D I X B

## Component Locations

Plots of the top-side component locations are shown in Figure B-1 and the board dimensions are shown in Figure B-2.

**Figure B-1. Stellaris® LaunchPad Component Locations (Top View)**

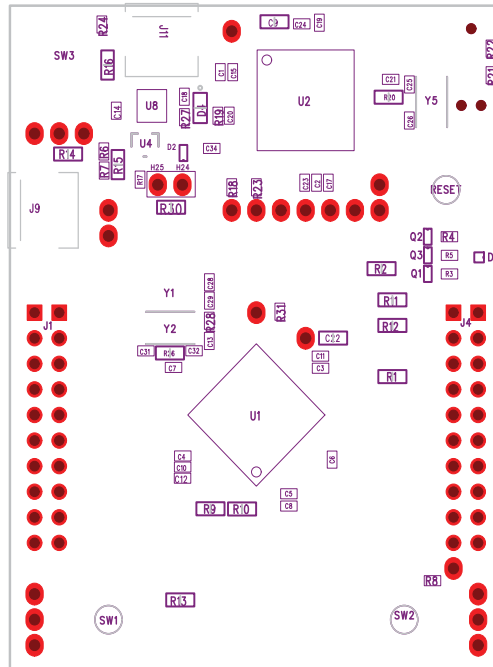
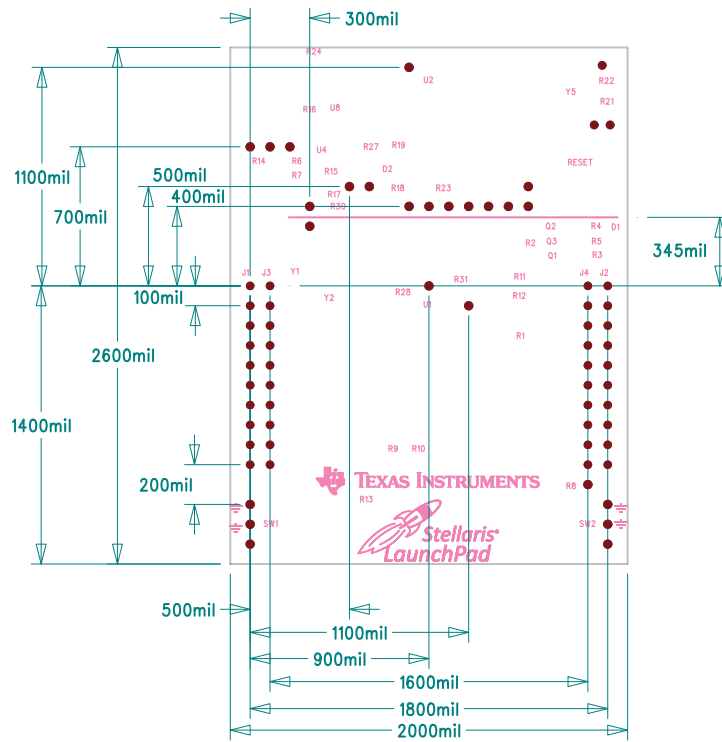


Figure B-2. Stellaris® LaunchPad Dimensions)



**NOTE:** Units are in mil (one thousandth of an inch):

1 mil = 0.001 inch

# A P P E N D I X C

## Bill of Materials (BOM)

Table C-1 shows the Bill of Materials for the EK-LM4F120XL evaluation board.

**Table C-1. EK-LM4F120 Bill of Materials**

Item	Ref	Qty	Description	Mfg	Part Number
1	C1-2 C7 C12 C14	5	Capacitor, 0402, X5R, 10V, Low ESR	Johanson Dielectrics Inc	100R07X105KV4T
2	C25-26 C31-32	4	Capacitor, 10pF, 50V, 5%, NPO/COG, 0402	Murata	GRM1555C1H100JZ01D
3	C28-29	2	Capacitor, 24pF, 50V, 5%, NPO/COG, 0402	TDK	C1005C0G1H240J
4	C3 C5 C8 C15 C18-19 C21	7	Capacitor, 0.01uF 25V, 10% 0402 X7R	Taiyo Yuden	TMK105B7103KV-F
5	C4 C6 C10-11 C17 C20 C23-24	8	Capacitor, 0.1uF 16V, 10% 0402 X7R	Taiyo Yuden	EMK105B7104KV-F
6	C9 C22	2	Capacitor, 2.2uF, 16V, 10%, 0603, X5R	Murata	GRM188R61C225KE15D
7	D1	1	LED, Tri-Color RGB, 0404 SMD Common Anode	Everlight	18-038/RSGHBHC1-S02/2T
8	D2	1	DIODE, Dual Schottky, SC70, BAS70 Common Cathode	Diodes Inc	BAS70W-05-7-F
9	D4	1	LED, Green 565nm, Clear 0805 SMD	Lite-On	LTST-C171GKT
				Lite-On	LTST-C171GKT
10	H24	1	Header, 1x2, 0.100, T-Hole, Vertical Unshrouded, 0.220 Mate	3M	961102-6404-AR
				FCI	68001-102HLF
11	H25	1	Jumper, 0.100, Gold, Black, Closed	Sullins	SPC02SYAN
12	J1 J4	2	Header, 2x10, T-Hole Vertical unshrouded stacking	Samtec	SSW-110-23-S-D
13	J9 J11	2	USB Connectors MICRO B RECEPT RA SMT BTTM MNT	Hirose	ZX62-B-5PA
14	Q1-3	3	NPN SC70 pre-biased	Diodes Inc	DTC114EET1G
15	R1-2 R9-16 R20 R26	12	Resistor, 0 OHM 1/10W 0603 SMD	Panasonic	ERJ-3GEY0R00V
16	R3-5 R8 R27	5	Resistor, 330 ohm, 1/10W, 5%, 0402	Yageo	RC0402FR-07330RL

Table C-1. EK-LM4F120 Bill of Materials (Continued)

Item	Ref	Qty	Description	Mfg	Part Number
17	R6 R17-19 R21-23 R28	8	Resistor, 10k ohm, 1/10W, 5%, 0402 Thick Film	Yageo	RC0402FR-0710KL
18	R7 R31	2	Resistor, 1M Ohm 1/10W, 5%, 0402	Rohm	MCR01MRTF1004
19	RESET SW1 SW2	3	Switch, Tact 6mm SMT, 160gf	Omron	B3S-1000
20	SW3	1	Switch, DPDT, SMT 300 mA*2 @ 6V	C&K Components	JS202011SCQN
21	U1 U2	2	Stellaris MCU LM4F120H5QRFIGA3	Texas Instruments	LM4F120H5QRFIG
22	U4	1	IC, Single Voltage Supervisor, 5V, DBV	Texas Instruments	TLV803MDBZR
23	U8	1	Regulator, 3.3V, 400mA, LDO	Texas Instruments	TPS73633DRBT
24	Y1	1	Crystal, 32.768KHz Radial Can	Abracon	AB26TRB-32.768KHZ- T
25	Y2 Y5	2	Crystal, 16.00MHz 5.0x3.2mm SMT	NDK	NX5032GA-16.000000 MHZ
				Abracon	ABM3-16.000MHZ-B2- T
PCB Do Not Populate List (Shown for information only)					
26	C31 C34	2	Capacitor, 0.1uF 16V, 10% 0402 X7R	Taiyo Yuden	EMK105B7104KV-F
27	R24	1	Resistor, 330 ohm, 1/10W, 5%, 0402	Yageo	RC0402FR-07330RL
28	R30	1	Resistor, 0 OHM 1/10W 0603 SMD	Panasonic	ERJ-3GEY0R00V



## References

In addition to this document, the following references are included on the Stellaris LM4F120H5QR Evaluation Kit CD and are also available for download at [www.ti.com](http://www.ti.com).

- *Stellaris LM4F120H5QR Microcontroller Data Sheet*, publication DS-LM4F120H5QR
- StellarisWare Driver Library
- *StellarisWare Driver Library User's Manual*, publication SW-DRL-UG

Additional references include:

- *Low-Dropout Regulator with Reverse Current Protection Data Sheet (TPS73633DRB)*
- *Voltage Supervisor Data Sheet (TLV803)*

Information on development tool being used:

- RealView MDK web site, [www.keil.com/arm/rvmdkkit.asp](http://www.keil.com/arm/rvmdkkit.asp)
- IAR Embedded Workbench web site, [www.iar.com](http://www.iar.com)
- Sourcery CodeBench development tools web site, [www.codesourcery.com/gnu\\_toolchains/arm](http://www.codesourcery.com/gnu_toolchains/arm)
- Texas Instruments' Code Composer Studio™ IDE web site, [www.ti.com/ccs](http://www.ti.com/ccs)

## IMPORTANT NOTICE

Texas Instruments Incorporated and its subsidiaries (TI) reserve the right to make corrections, enhancements, improvements and other changes to its semiconductor products and services per JESD46C and to discontinue any product or service per JESD48B. Buyers should obtain the latest relevant information before placing orders and should verify that such information is current and complete. All semiconductor products (also referred to herein as "components") are sold subject to TI's terms and conditions of sale supplied at the time of order acknowledgment.

TI warrants performance of its components to the specifications applicable at the time of sale, in accordance with the warranty in TI's terms and conditions of sale of semiconductor products. Testing and other quality control techniques are used to the extent TI deems necessary to support this warranty. Except where mandated by applicable law, testing of all parameters of each component is not necessarily performed.

TI assumes no liability for applications assistance or the design of Buyers' products. Buyers are responsible for their products and applications using TI components. To minimize the risks associated with Buyers' products and applications, Buyers should provide adequate design and operating safeguards.

TI does not warrant or represent that any license, either express or implied, is granted under any patent right, copyright, mask work right, or other intellectual property right relating to any combination, machine, or process in which TI components or services are used. Information published by TI regarding third-party products or services does not constitute a license to use such products or services or a warranty or endorsement thereof. Use of such information may require a license from a third party under the patents or other intellectual property of the third party, or a license from TI under the patents or other intellectual property of TI.

Reproduction of significant portions of TI information in TI data books or data sheets is permissible only if reproduction is without alteration and is accompanied by all associated warranties, conditions, limitations, and notices. TI is not responsible or liable for such altered documentation. Information of third parties may be subject to additional restrictions.

Resale of TI components or services with statements different from or beyond the parameters stated by TI for that component or service voids all express and any implied warranties for the associated TI component or service and is an unfair and deceptive business practice. TI is not responsible or liable for any such statements.

Buyer acknowledges and agrees that it is solely responsible for compliance with all legal, regulatory and safety-related requirements concerning its products, and any use of TI components in its applications, notwithstanding any applications-related information or support that may be provided by TI. Buyer represents and agrees that it has all the necessary expertise to create and implement safeguards which anticipate dangerous consequences of failures, monitor failures and their consequences, lessen the likelihood of failures that might cause harm and take appropriate remedial actions. Buyer will fully indemnify TI and its representatives against any damages arising out of the use of any TI components in safety-critical applications.

In some cases, TI components may be promoted specifically to facilitate safety-related applications. With such components, TI's goal is to help enable customers to design and create their own end-product solutions that meet applicable functional safety standards and requirements. Nonetheless, such components are subject to these terms.

No TI components are authorized for use in FDA Class III (or similar life-critical medical equipment) unless authorized officers of the parties have executed a special agreement specifically governing such use.

Only those TI components which TI has specifically designated as military grade or "enhanced plastic" are designed and intended for use in military/aerospace applications or environments. Buyer acknowledges and agrees that any military or aerospace use of TI components which have **not** been so designated is solely at the Buyer's risk, and that Buyer is solely responsible for compliance with all legal and regulatory requirements in connection with such use.

TI has specifically designated certain components which meet ISO/TS16949 requirements, mainly for automotive use. Components which have not been so designated are neither designed nor intended for automotive use; and TI will not be responsible for any failure of such components to meet such requirements.

### Products

Audio	<a href="http://www.ti.com/audio">www.ti.com/audio</a>
Amplifiers	<a href="http://amplifier.ti.com">amplifier.ti.com</a>
Data Converters	<a href="http://dataconverter.ti.com">dataconverter.ti.com</a>
DLP® Products	<a href="http://www.dlp.com">www.dlp.com</a>
DSP	<a href="http://dsp.ti.com">dsp.ti.com</a>
Clocks and Timers	<a href="http://www.ti.com/clocks">www.ti.com/clocks</a>
Interface	<a href="http://interface.ti.com">interface.ti.com</a>
Logic	<a href="http://logic.ti.com">logic.ti.com</a>
Power Mgmt	<a href="http://power.ti.com">power.ti.com</a>
Microcontrollers	<a href="http://microcontroller.ti.com">microcontroller.ti.com</a>
RFID	<a href="http://www.ti-rfid.com">www.ti-rfid.com</a>
OMAP Mobile Processors	<a href="http://www.ti.com/omap">www.ti.com/omap</a>
Wireless Connectivity	<a href="http://www.ti.com/wirelessconnectivity">www.ti.com/wirelessconnectivity</a>

### Applications

Automotive and Transportation	<a href="http://www.ti.com/automotive">www.ti.com/automotive</a>
Communications and Telecom	<a href="http://www.ti.com/communications">www.ti.com/communications</a>
Computers and Peripherals	<a href="http://www.ti.com/computers">www.ti.com/computers</a>
Consumer Electronics	<a href="http://www.ti.com/consumer-apps">www.ti.com/consumer-apps</a>
Energy and Lighting	<a href="http://www.ti.com/energy">www.ti.com/energy</a>
Industrial	<a href="http://www.ti.com/industrial">www.ti.com/industrial</a>
Medical	<a href="http://www.ti.com/medical">www.ti.com/medical</a>
Security	<a href="http://www.ti.com/security">www.ti.com/security</a>
Space, Avionics and Defense	<a href="http://www.ti.com/space-avionics-defense">www.ti.com/space-avionics-defense</a>
Video and Imaging	<a href="http://www.ti.com/video">www.ti.com/video</a>

**TI E2E Community** [e2e.ti.com](http://e2e.ti.com)